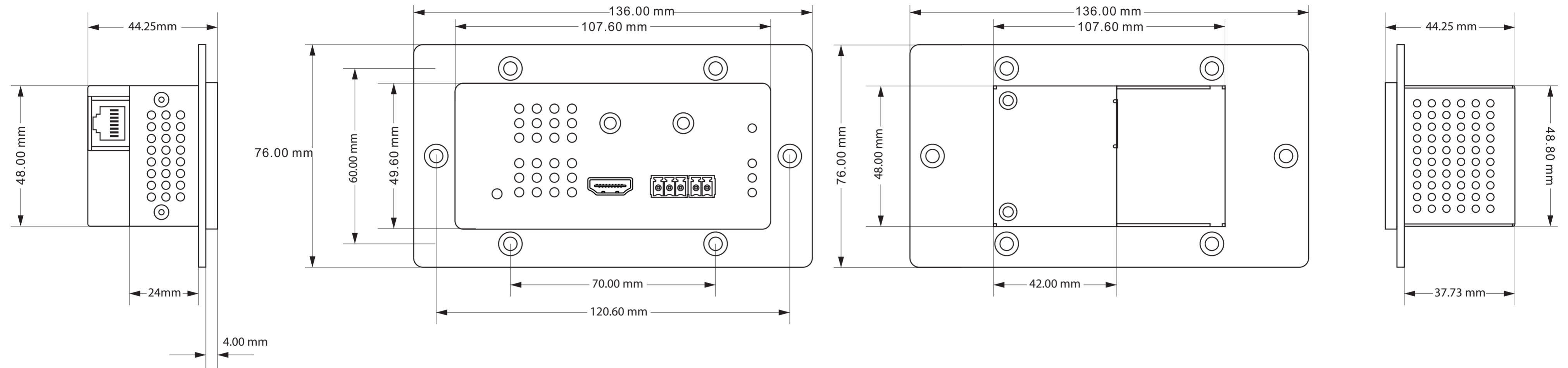


HEX11WP-TX

Dimensional information



Dimensions

Module Dimensions (W x H x D):
136mm x 76mm x 44mm (w/o faceplate)

Faceplate Dimensions (W x H x D):
146mm x 86mm x 6mm

Cut Out Dimensions (W x H x D):
87mm x 49mm x 39mm

Mounting Hole Spacing:
UK 121mm CTC, EU 60mm CTC

Backbox Mounting Depth:
40mm (minimum), 47mm (recommended),
UK or EU double gang

